

Filter Adaptor Family



◆ Features:

- Custom Solution for All Filter Types: Lowpass, Bandpass, Highpass and Band Stop
- Compact and Rigid- Filter Resides in an SMA Adaptor
- "Quick Fix"- Filter Solution is External to Electronic Equipment and can be Easily Maintained
- Power Handling 10 Watts CW
- Other Custom Designs are Available Upon Request

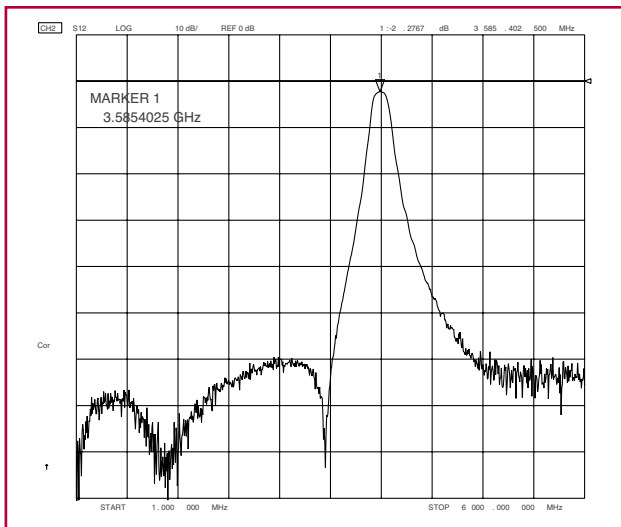
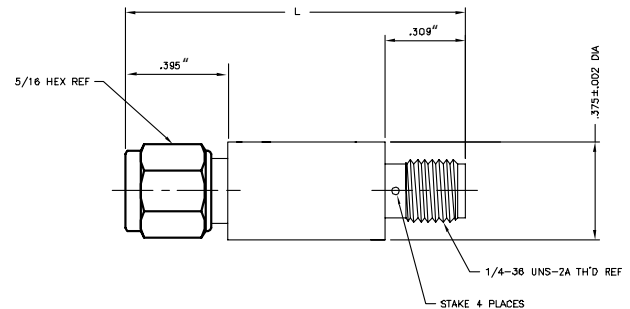
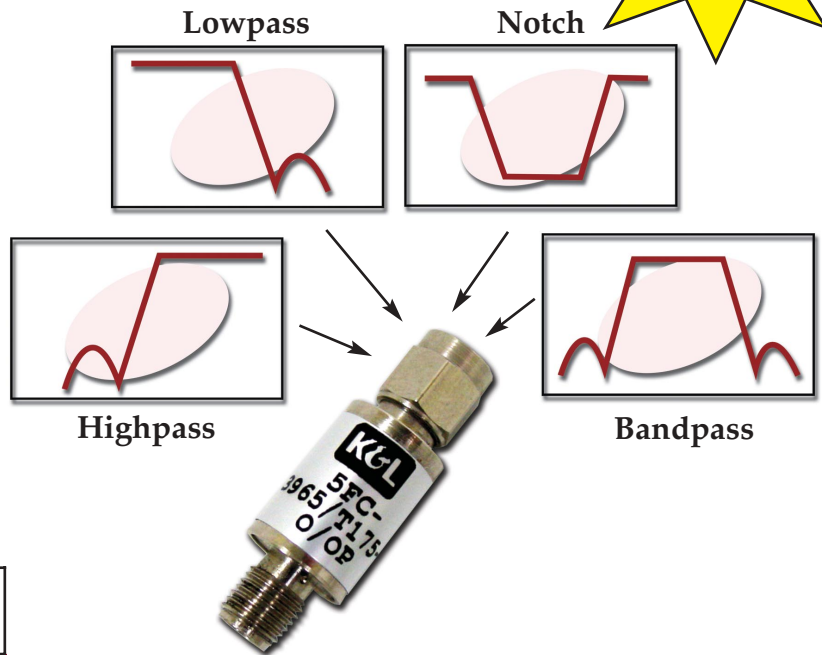
◆ Specifications:

Length (L)	No. of Sections	Frequency (GHz)	TYPE
1.312"	3	2-10	LP, BP, HP
1.536"	3-5	2-10	LP, BS, HP, BP

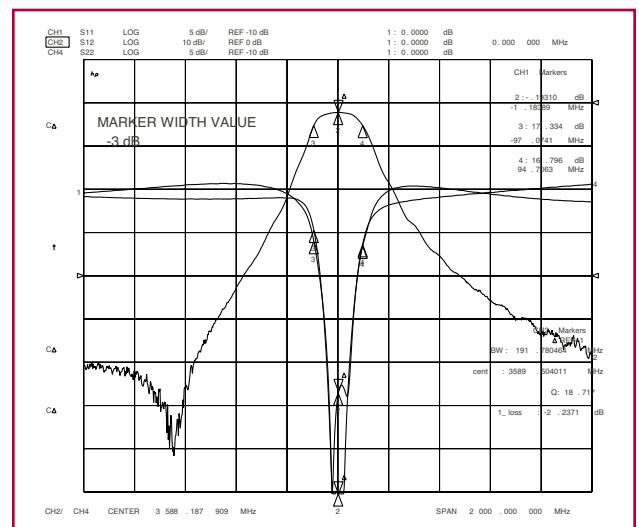
- Band-Stop Filters are available upon request
- N-type Connectors are available upon request.

◆ Applications:

- RF and Microwave Links Where Interference Mitigation of Signals are Accomplished by a Quick and Compact Enclosure



Wideband Response



Narrowband Response



Filtering Solutions for Your Global Market

USA
 Phone: 410-749-2424
 FAX: 443-260-2268
 Email: sales@klmicrowave.com

EUROPE
 Phone: +44-(0)-1904-567355
 FAX: +44-(0)-1904-675521
 Email: sales@kleurope.com

www.klfilterwizard.com & www.klmicrowave.com